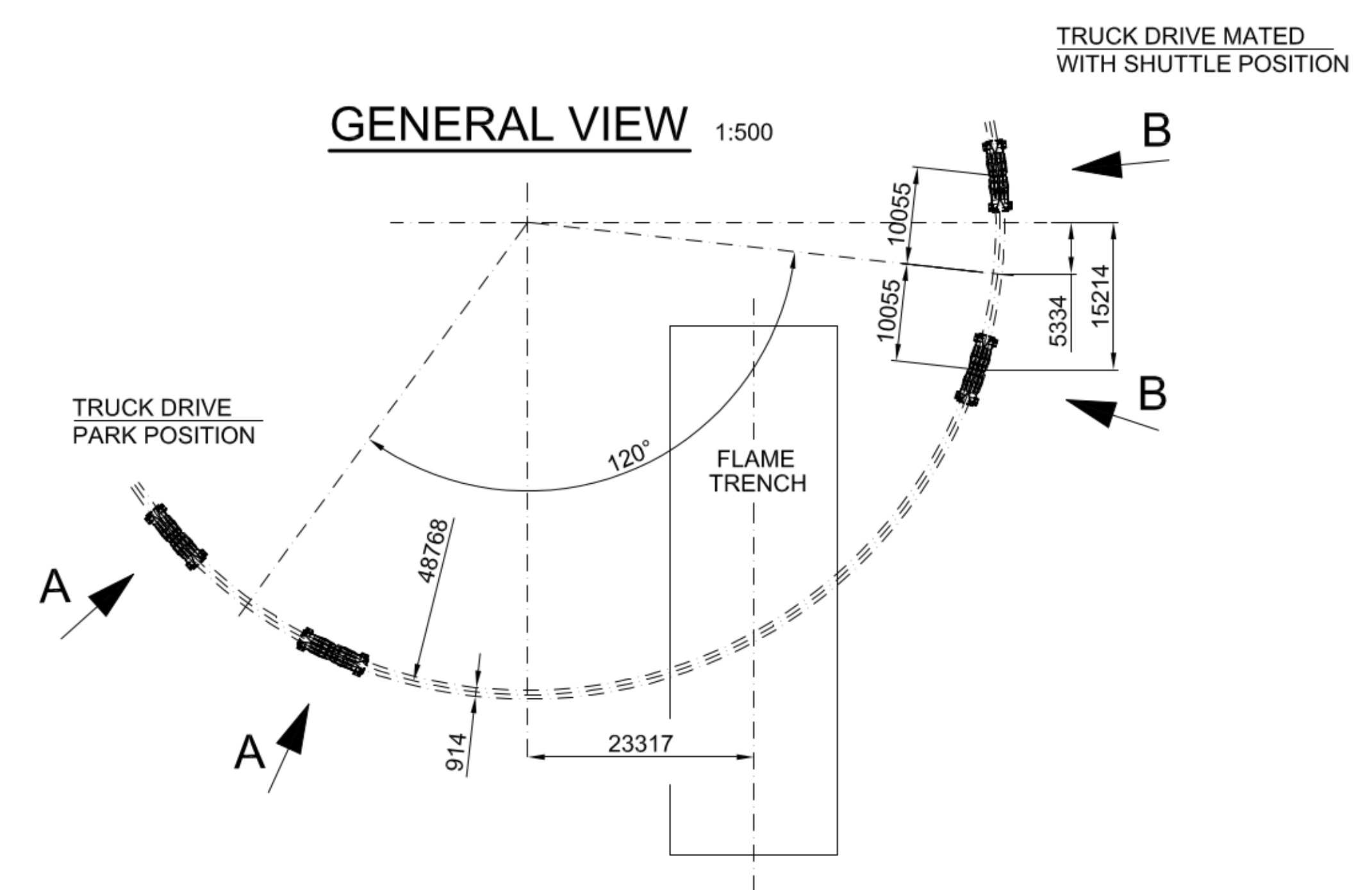
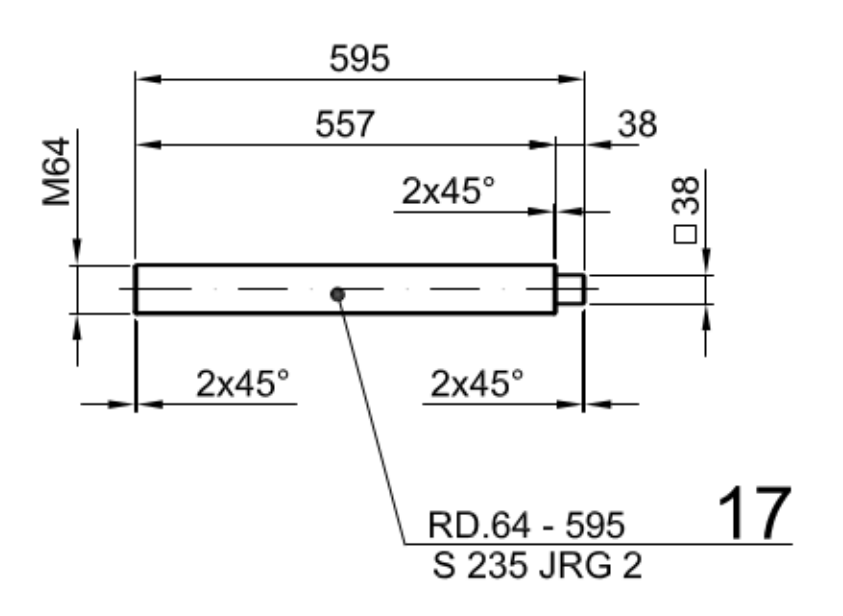
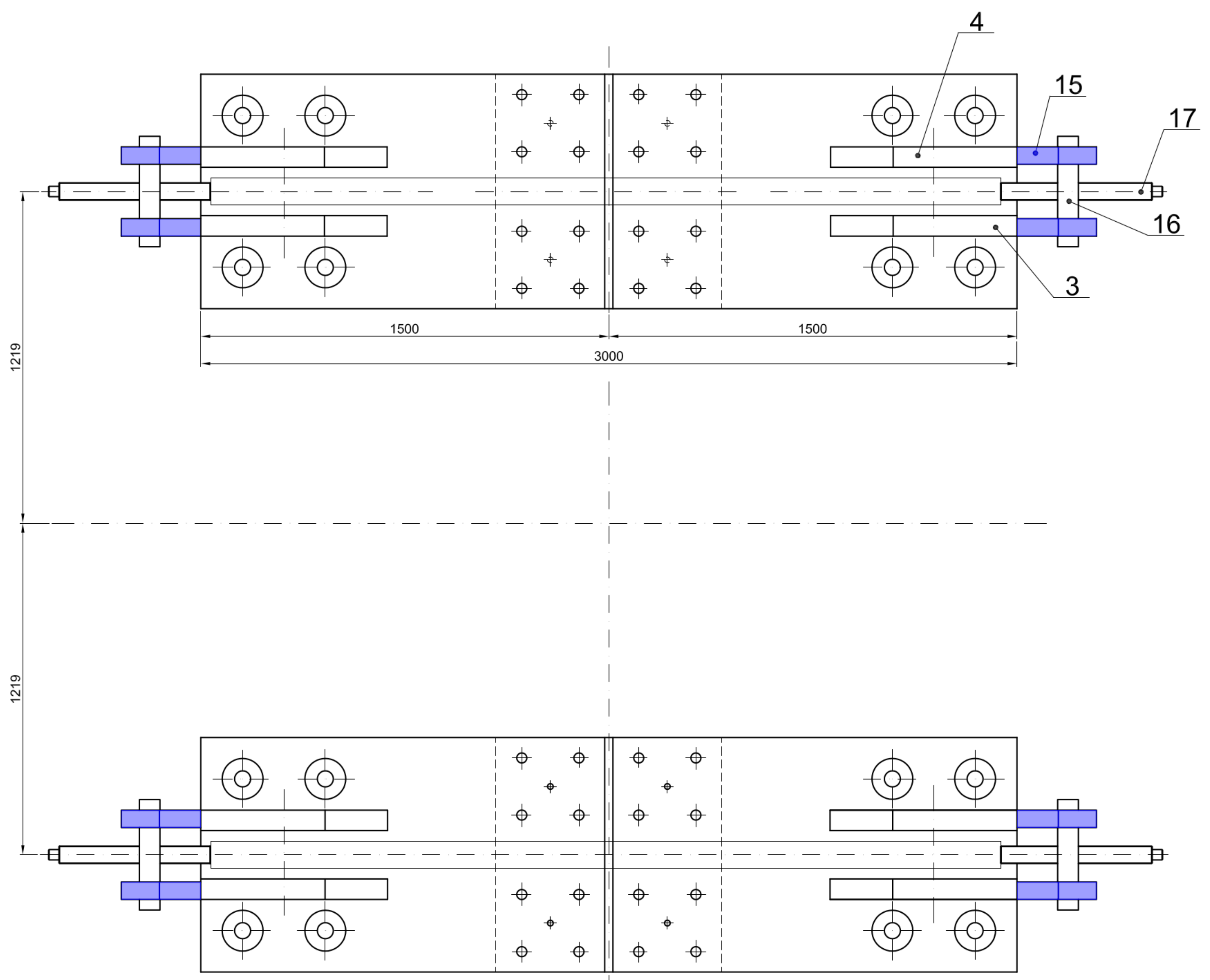
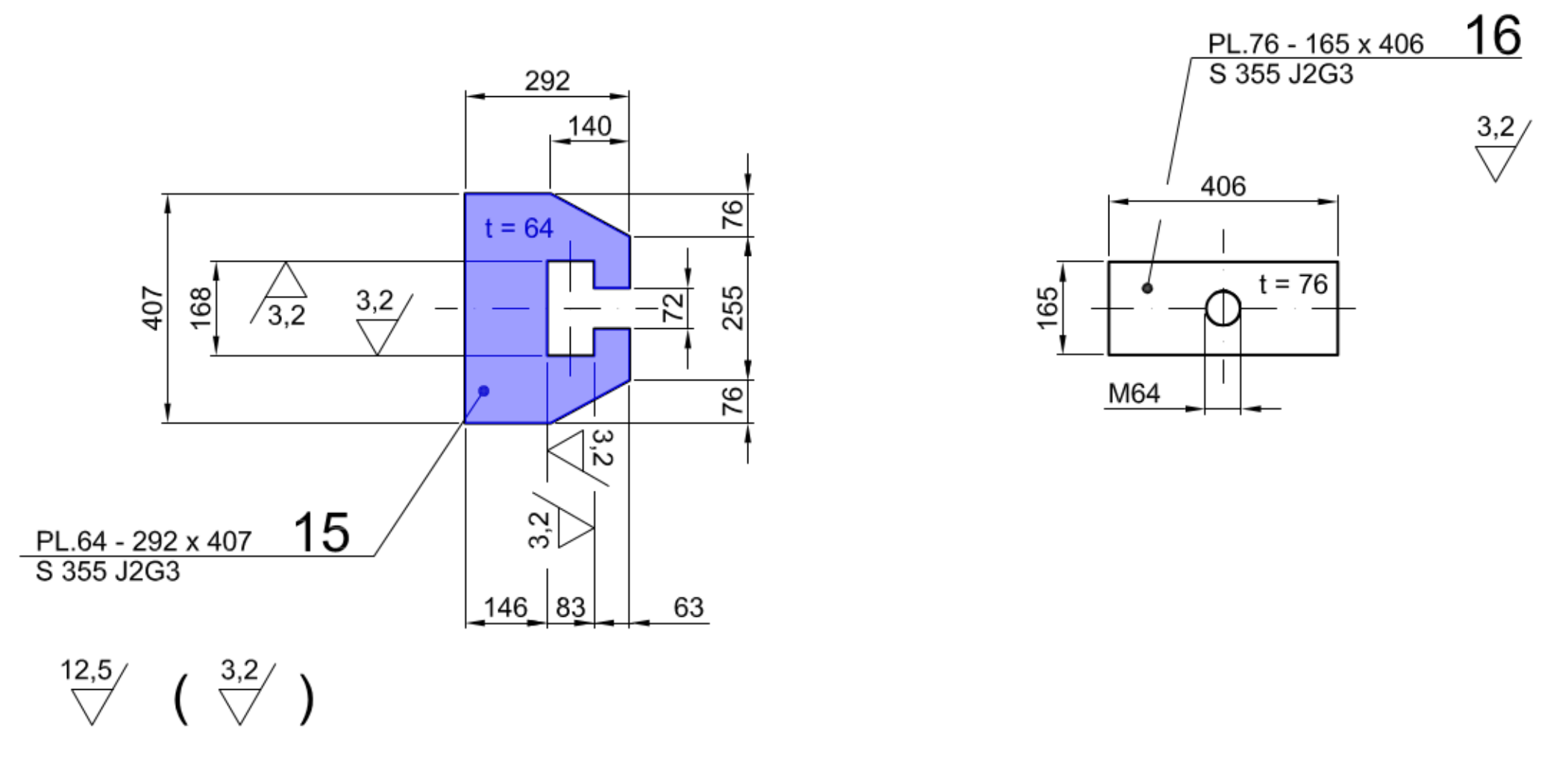
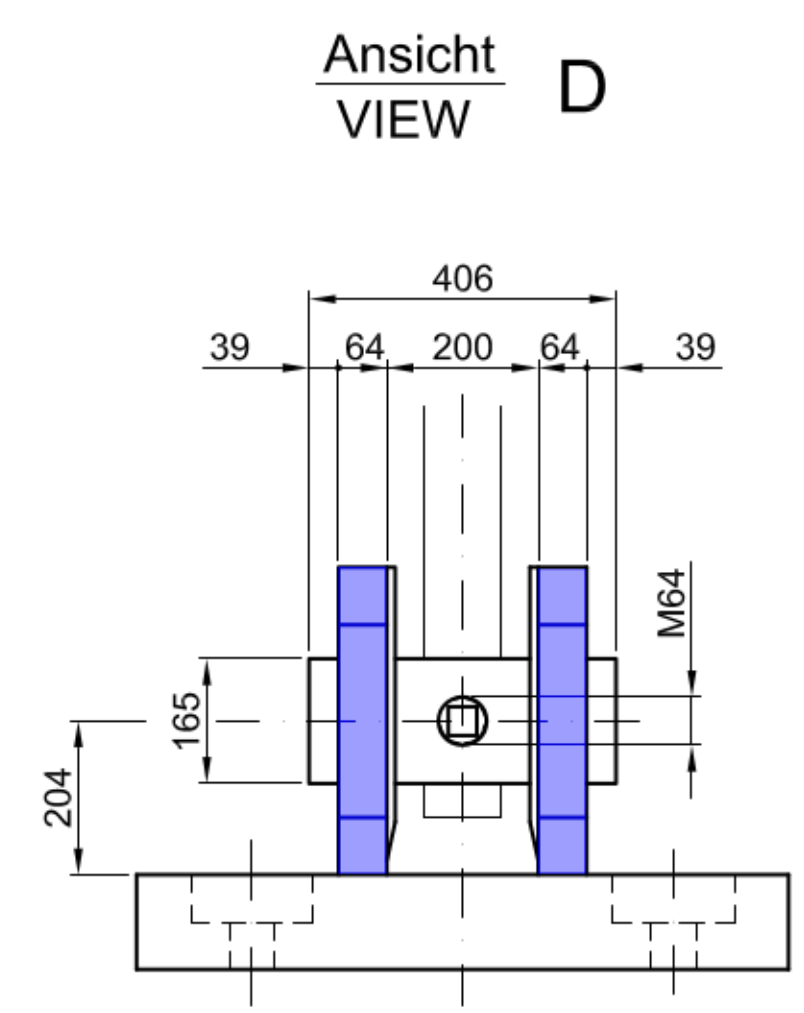
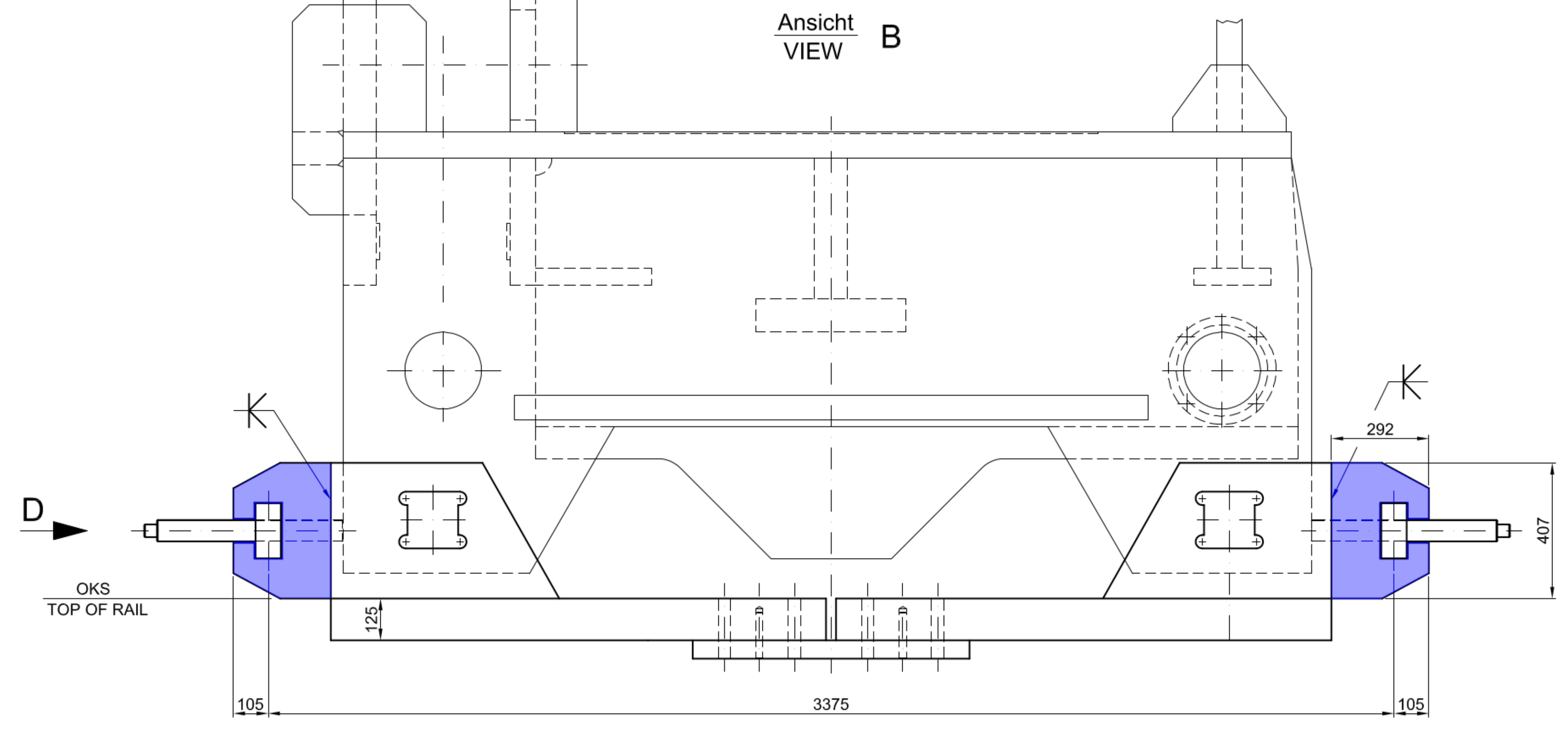


NOTICE - WHEN GOVERNMENT DRAWINGS, SPECIFICATIONS, OR OTHER DATA ARE USED FOR ANY PURPOSE OTHER THAN IN CONNECTION WITH A CONTRACT RELATING TO GOVERNMENT PROCUREMENT OPERATIONS, THE UNITED STATES GOVERNMENT THEREBY INCURS NO RESPONSIBILITY FOR ANY OMISSION, INADEQUACY, OR ERROR IN THE DRAWING, SPECIFICATION, OR OTHER DATA AS NOT TO BE REGARDED BY PERSONS OR OTHERS IN ANY MANNER CONCERNING THE HOLDER OR ANY OTHER PERSON OR CORPORATION, OR CONVEYING ANY RIGHTS OR PERMISSION TO MANUFACTURE, USE, OR SELL ANY PATENTED INVENTION THAT IN ANY WAY BE RELATED THEREIN.

PART NO.	MF	REVISIONS			
		ZONE	SYM	DESCRIPTION	
				DATE	APPROVAL



KOCKS CRANE INC.		UNLESS OTHERWISE SPECIFIED		ORIGINAL DATE OF DRAWING: 30 08 2002		Space Shuttle Launch Complex 39		JOHN F. KENNEDY SPACE CENTER, NASA	
SEE ENGINEERING RECORDS		DIMENSIONS ARE IN MM		DRAFTER: [Signature]		Rotating Service Structure		KENNEDY SPACE CENTER FLORIDA	
Com. No. 18477		TOLERANCES ON FRACTIONS		CHECKER: [Signature]		Truck Bogie Exchange System Design		4-077.403.2	
Drawing No. 4-077.403		DECIMALS		ENGINEER: [Signature]		Hurricane Tie Down		DWG SIZE F	
Parts List No. 4-077.403		ANGLES		SUBMITTED		WEIGHT CHECKER		SHEET 2 OF 2	
Mark: KSC		NEXT ASSY		APPROVED		DATE		CODE VEN-3647	
Origin: 2 / 2		USED ON		APPLICATION		SCALE 1 : 10		UNIT WEIGHT	
Sheet - Number		APPLICATION							